

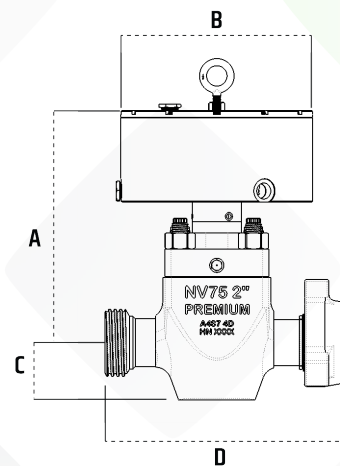
The Premium Oilfield Technologies AirForce™ mud gate valve provides the user with remote bleed-off capability of standpipe lines translating to a simplified and safer user interface. Utilizing the Premium NV-7500 core design allows our valve to be one of the longest lasting valves in the industry for applications up to 7500 psi.

Unlike conventional mud valves with rubber seats that wash out quickly, the NV-7500 uses single piece seat rings creating an upstream metal to metal seal. This upstream design helps eliminate debris contamination into the valve body and reduces wear on internal components.

## BENEFITS

- ◆ Patent Pending
- ◆ No personnel on rig floor required to actuate
- ◆ Operated from driller's cabin
- ◆ Remote control system with visible position indication
- ◆ Electronic / pneumatic solenoid
- ◆ Operating range 0-7500 psi system pressure
- ◆ Designed rapid opening time minimizes jetting action
- ◆ Rapid actuation extends valve life
- ◆ Single piece seat
- ◆ Metal to metal sealing
- ◆ Reduced wash-outs: Upstream sealing reduces solids in valve cavity

Dimensions	2" 1502
A	14.250"
B	11.746"
C	3.500"
D	13.850"



## APPLICATIONS

- ◆ 7500 psi mud systems
- ◆ Standpipe manifolds
- ◆ Bleed lines
- ◆ 2" full bore, 1502

## CORPORATE

### Premium Oilfield Technologies - USA

10600 W. Sam Houston Pkwy. North  
Houston, TX 77064  
T: +1 281.670.5200

## USA MANUFACTURING & REPAIR

### *Patriot and Urethane*

10600 W. Sam Houston Pkwy. North  
Houston, TX 77064  
T: +1 281.670.5228

### *Premium Drilling Equipment and Support*

9841 Windmill Park Ln.  
Houston, TX 77064  
T: +1 281.670.5200

### *West Texas Operations - All Divisions*

10207 West Industrial Ave.  
Midland, TX 79706  
T: +1 432.563.2328

### *Patriot Screens*

4602 S. MacArthur Blvd.  
Oklahoma City, OK 73179  
T: +1 405.470.6553

## NORTH AMERICA FIELD SALES, SERVICES AND REPAIR OFFICES

California / Colorado / Louisiana / New Mexico / North Dakota / Oklahoma / Pennsylvania / Texas / Utah  
Wyoming / Leduc, Alberta

## INTERNATIONAL

### KUWAIT

**Premium Oilfield Technologies**  
P.O. Box 721  
Yarmouk, Kuwait 72658  
T: +965 99679126  
T: +965 66022296

### UAE

**Premium Oilfield Technologies Trading LLC**  
P.O. Box 89561  
Dubai, UAE  
T: +971 55 889 7210  
T: +971 56 986 3834

### INDIA

**PMR Mud Riggers India Private Limited**  
S-Block-232, MIDC  
Bhosari, Pune MH 411026  
India

### UAE

**Premium Oilfield Technologies FZE Top Drive Solutions**  
S700, PLOT S30229  
Jebel Ali Free Zone (South)  
P.O. Box 262263  
Dubai, UAE  
T: +971 4 889 4897  
T: +971 506587570

### SAUDI ARABIA

**Premium Mud Pumps Trading Est.**  
P.O. Box 956  
Dammam, KSA  
Postal Code: 31951  
T: +966 50 0157516

### UAE

**Premium Oilfield Technologies FZE Mud Pump Solutions**  
S700, PLOT S30229  
Jebel Ali Free Zone (South)  
P.O. Box 262263  
Dubai, UAE  
T: +971 4 889 4897  
T: +971 558897210



Premium Oilfield Technologies  
Q1-3977  
ISO 9001:2015  
Certificate Number: 5028



[sales@premiumoilfield.com](mailto:sales@premiumoilfield.com)  
[premiumoilfield.com](http://premiumoilfield.com)

110524

**SUR·LOCK**

**CALIBER**

**TRU·FLOW**

**PATRIOT™**



**LOGAN**  
Power Swivel